



## HF1 SERIES

---



The HygroFlex1 series is the latest development in inexpensive HVAC transmitters for relative humidity and temperature. The devices are equipped with the tried-and-tested Hygromer® IN-1 sensor and boast unbeatable value for money. The freely available Rotronic SW21 software enables you to change the output scaling, calibrate the transmitter and adjust the humidity sensor.

### FEATURES

- Accuracy:  $\pm 3\%RH$ ,  $\pm 0.3\text{ K}$ , at  $23\text{ °C} \pm 5\text{ K}$
- Range of application:  $-20\dots 50\text{ °C}$  /  $0\dots 100\%RH$
- Small size
- Easy mechanical installation
- USB service interface
- Adjusted at  $35\%RH$  /  $80\%RH$

### POWER SUPPLY

---

- Low voltage: 2 x 2- or 3-wire

### SIGNAL OUTPUTS

---

- Current output
- Voltage output

### VERSIONS

---

- Space mount version with integrated probe
- Duct version (D)
- Wall version (W)

### OUTPUT PARAMETERS

---

- Humidity & temperature

### OUTPUT SCALING

---

- Relative humidity: range selectable, standard  $0\dots 100\%RH$
- Temperature: range selectable, standard:  $0\dots 50\text{ °C}$

### DISPLAY

---

- Display with or without backlight
- Without display



## HF1 WALL AND DUCT VERSIONS

### APPLICATIONS

Measures relative humidity and temperature in HVAC applications.

#### 2 or 2x2-wire

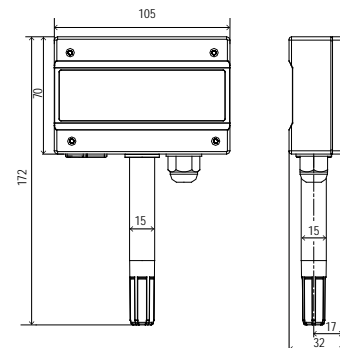
Order code	HF120
Output signal	4...20 mA
Supply voltage	10...28 VDC
Display	Optional (without backlight)
Temperature range	Scalable
Probes	Not interchangeable Standard, duct probe 100 mm (optional, duct probe 300 mm)
Filter type	Polyethylene

#### 3-wire

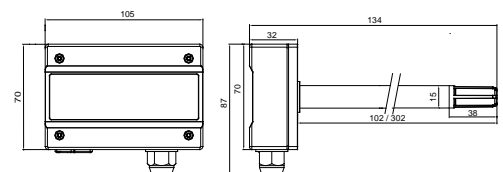
Order code	HF13x
Output signal	0...10 V 4...20 mA Only voltage output can be changed
Supply voltage	15...40 VDC / 12...28 VAC
Display	Optional (without backlight)
Temperature range	Scalable
Probes	Not interchangeable Standard, duct probe 100 mm (optional, duct probe 300 mm)
Filter type	Polyethylene



Wall version



Duct version



### COMPATIBLE

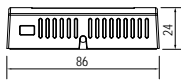
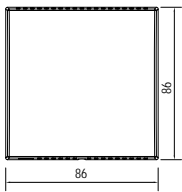
- SW21 PC software, see page 197

### DELIVERY PACKAGE

- Factory adjustment certificate
- Short instruction manual

### RECOMMENDED ACCESSORIES

- USB service cable AC0003
- Calibration device ER-15
- Mounting flange AC5005



## HF1 SPACE MOUNT VERSION

### APPLICATIONS

Offices or rooms where good looks are important.

### 2 or 2x2-wire

Order code	HF120
Output signal	4...20 mA
Supply voltage	10...28 VDC
Display	Optional (without backlight)

### 3-wire

Order code	HF13x
Output signal	0...1 V / 0...5 V / 0...10 V / 4...20 mA Only voltage output can be changed
Supply voltage	15...40 VDC / 12...28 VAC
Display	Optional (with backlight)

Technical data	HF1 Analog 2-wire	HF1 Analog 3-wire
<b>General</b>		
Parameters	Humidity and temperature	
Housing material / IP protection	ABS / IP65, except type S IP20	
Dimensions	105 x 172 x 32 mm (type W), 105 x 87 x 134(334) mm (type D), 86 x 86 x 24 mm (type S)	
Weight	140 g	
Probe connection	Fixed	
Filter material	Polyethylene	
Display	LCD, 1 or 2 decimals, without backlight	LCD, 1 or 2 decimals, with backlight
Electrical connections	Connections: screw terminals inside (type D/W) Cable gland: M16	
Power supply	10...28 VDC	15...40 VDC / 12...28 VAC
Current consumption	2x20 mA max.	<55 mA (current output) <15 mA (voltage output)
Range of application	-20...50 °C / 0...100 %RH (non-condensing)	
Service interface	USB-Mini	
CE / EMC compatibility	EMC Directive 2014/30/EU	
<b>Humidity measurement</b>		
Sensor	ROTRONIC HYGROMER® IN-1	
Measurement range	0...100 %RH	
Accuracy at 23°C ±5 K	±3.0 %RH (10...90 %RH)	
Long-term stability	<1.5 %RH/year	
Response time	<30 s τ63 (63 % increase 35...80 %RH) without filter	
Maximum wind velocity	20 m/s with filter	
<b>Temperature measurement</b>		
Sensor	NTC	
Measurement range	-20...50 °C / 0...100 °F	
Accuracy at 23°C ±5 K	±0.3 K (type W, type D), ±1 K (type S)	
Response time	4 s	
<b>Analog output</b>		
Number	2	
Current	4...20 mA	4...20 mA
Voltage	N/A	0...1/5/10 V