

HC2A-AW & HC2A-AW-USB



Advantages

- Measures water activity and temperature
- Outstanding accuracy, repeatability and long-term stability
- Measuring device with light ring and ON/OFF touch button
- Available with HC2 or USB-A connector

Applications

- Food Industry
- Pharmaceutical Industry
- Chemical Industry
- Cosmetics Industry



General Information

Sensor HYGROMER WA-1

- High accuracy and repeatability (up to ± 0.008 aw)
- Excellent Long-term stability (< 1 %rh per year with clean air)

Compability

- The HC2A-AW works best with the HygroLab benchtop laboratory instrument
- The HC2A-AW-USB works best in combination with a Windows PC and the HygroSoft software

Smart Electronic

- Based on the Rotronic's AirChip3000
- Uses less power and therefore has much less self-heating which improves the overall accuracy
- Saves adjustment data so that probes can be interchanged without re-adjusting

Stable housing

- Use of robust materials such as aluminum and stainless steel
- Has LED light ring and a touch button for ON/OFF



Accessories

Sample holders and sample containers



The sample holders provide excellent sample containment and optimum temperature stability. The WP-40TH can be attached to a water bath for additional temperature control. The disposable sample containers ensure the optimum sample volume is introduced into

the sample holders. They prevent the sample holders from coming into direct contact with the product being tested, thereby preventing soiling or cross contamination. The sample containers also provide a convenient means of collecting and storing samples.

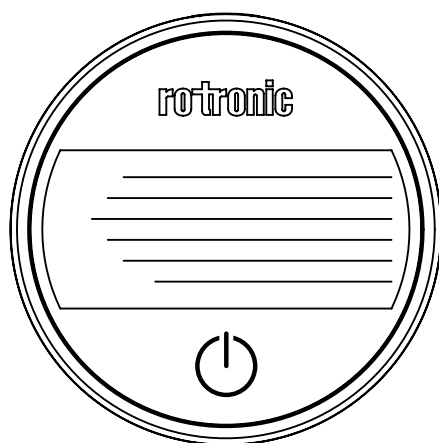
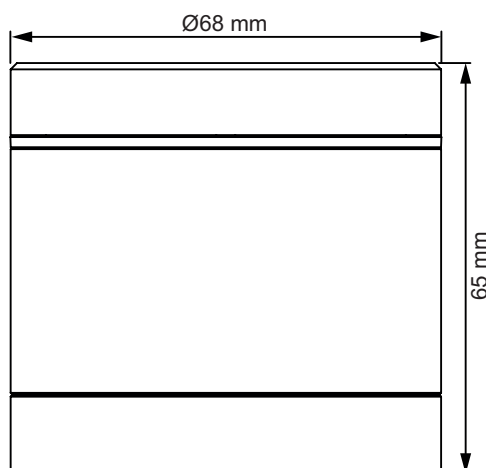
Sample holders

Order code	WP-14-S	WP-40	WP-40TH
			
Use with	PS-14	PS-14/PS-40	PS-14/PS-40
Height	14 mm	40 mm	40 mm
Material	V2A steel	Brass, nickel-plated	
Weight	350 g	1250 g	1550 g

Sample container

Order code	PS-14	PS-40
		
Use with	WP-14-S/WP-40/WP-40TH	WP-40/WP-40TH
Height	14 mm	40 mm
Packaging unit	100 pc.	

Technical Data



Sensor	HYGROMER WA-1
Accuracy @ 23 ±5 °C	± 0.008 aw / 0.8 %rh / ±0.1 K
Operating conditions	-40...85 °C
Storage conditions	-40...+85 °C / 0...100 %rh, non condensing
Supply voltage	3.3...5 V
Status light	Yes, only green light
Long-term stability	< 1 %rh / year (normal conditions)
AW Quick Mode	depending on the connected instrument
Display	No
Button	Touch button
Connector	HC2A-AW: HC2 connector HC2A-AW-USB: USB-A connector
Cable length	HC2A-AW: 1m HC2A-AW-USB: 3m
HygroSoft compatibility	HC2A-AW: Yes (with the AC3001) HC2A-AW-USB: Yes
HygroLab compatibility	HC2A-AW: Yes HC2A-AW-USB: No
Dimensions	Ø68 x 65 mm
Housing material	Aluminum, stainless steel & PC
Weight	540 g
CE conform	CE 2014/30/EU
IP protection rating	IP65

Subject to technical change without notice. Printing and other errors reserved.

59111E/2023-06